

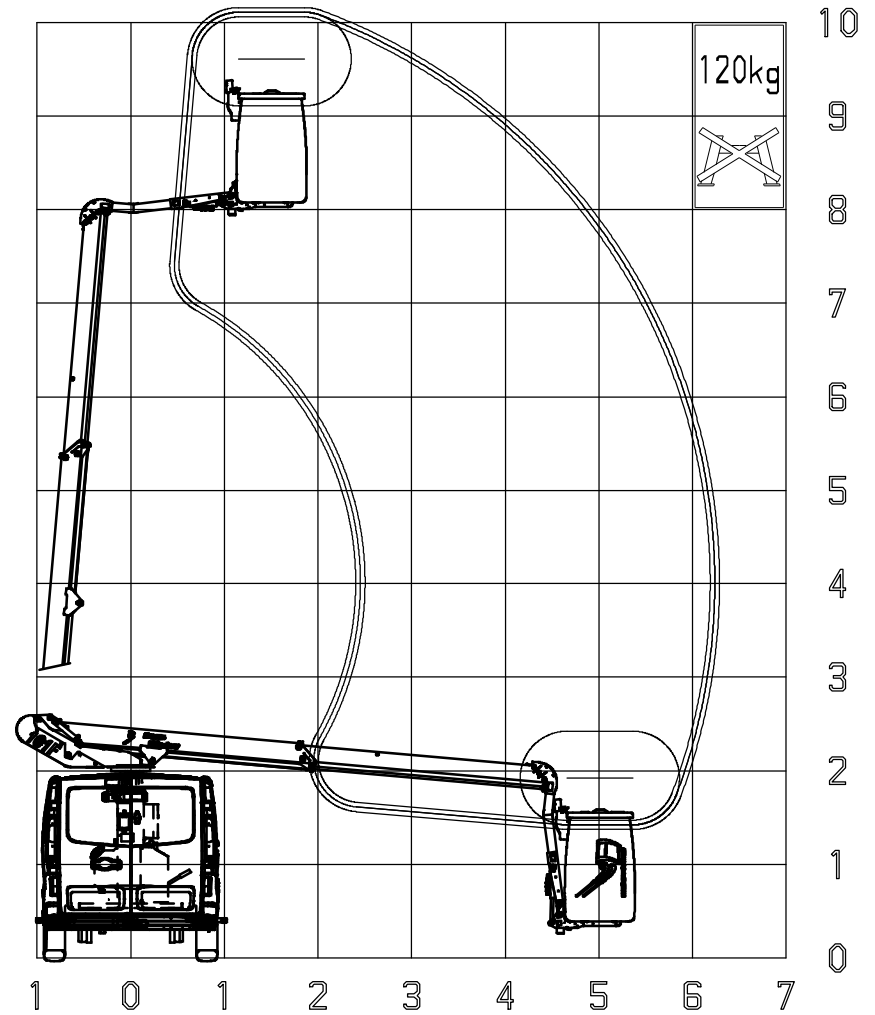
Elévateur 101Fp



	45 Km/h 12.5 m/s	15%	15%	10.1 m 9.6 m	5.7 m 120 Kg
	8.1 m	15% 5%	2920 Kg -	330 Kg -	

0.0214.02.CDTR

29/05/2020



Elévateur 101Fp



	45 Km/h 12.5 m/s	15%	15%	10.1 m 9.6 m	5.7 m 120 Kg
	8.1 m	15% 5%	2920 Kg -	330 Kg -	

0.0214.02.CDTR

29/05/2020