

101 Fp / FORD CUSTOM

TECHNICAL
DATASHEET

MADE IN
FRANCE



TELECOM



LT LEASING COMPANIES



AUTHORITIES



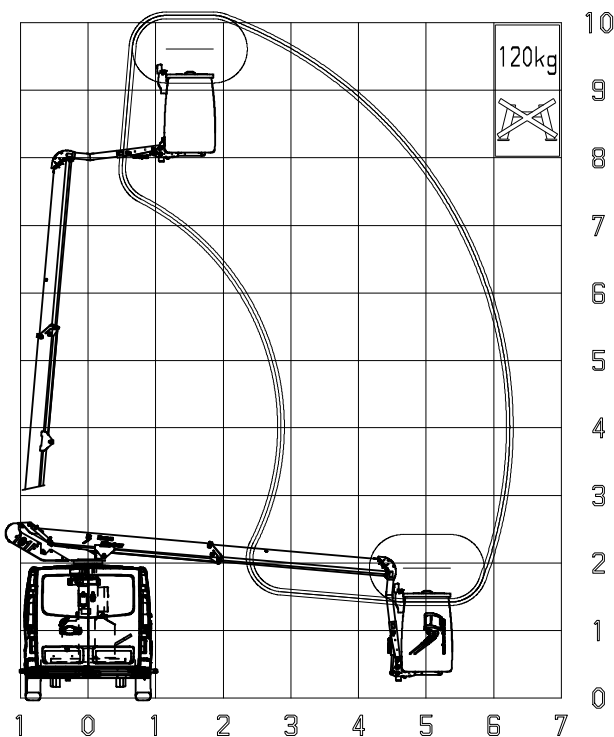
SIGNS/PUBLICITY



RETAILERS

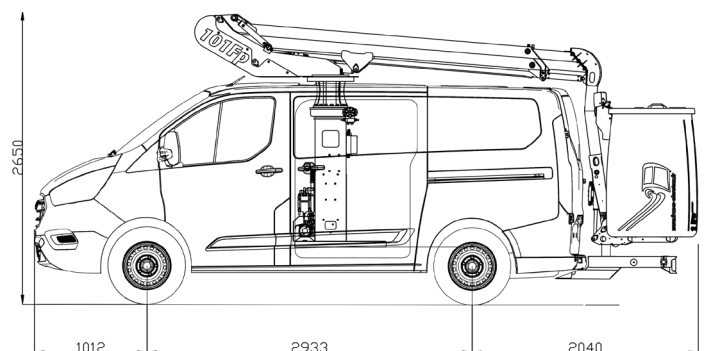


OTHER ACTIVITIES



This vehicle features all the solutions needed by companies who work on **TELECOM networks in urban environments**:

- Extremely **compact**
- **High payload**
- **Original GVW** maintained
- **Outreach and height performances** ideal for TELECOM work
- **Numerous accessories available** for fibre work



TECHNICAL SPECIFICATIONS

As standard : ● Optional : ○

Working height	10,10 m	●
Floor height	8,10 m	●
Maximum outreach without stabilisers	6,50 m	●
Basket load	120 kg	●
Turret rotation	400°	●
Maximum usage tilt / slope	5% / 15%	●
Basket dimensions	850 x 780 x 1150 mm	●
Minimum PTAC	3 400 kg	●
Steel boom with 1 telescopic element		●
Cable chain holder inside the telescope		●
Electro-hydraulic and sequential commands		●
1000 V insulated full opening fibre basket		●
Engage back-up remote control in cab (5 m cable)		●
Priority electro-hydraulic back-up console		●
Return to road position light in cab		●
Time counter		●
Manual backup pump		●

EQUIPMENT

Engine start and stop in the basket		○
Basket horn		○
Backup generator		○
230 V plug in the basket and differential protection		○
Removable and insulated toolbox in the basket		○
12Vdc-230 Vac - 2 Kva converter		○
Removable and adjustable 12 Vdc LED working light		○
Anti-skid floor protection		○
Sides and floor protection		○
Interior design		○
Cone holder in cargo area		○
Signal panel support in cargo area		○
Fixed ladder holder		○
750 kg coupling hook		○
Reversing radar		○
Reversing camera		○
2 LED flash lights + retro-reflective marking		○
Flashing light under basket		○
Electrical operation on battery pack		○
BT 200 (including full door BT200 basket + backup generator)		○
Fibre optic welding support		○
Turret support + unwinding hatch		○
Meter counter		○
Axle load according to instructions vehicle manufacturer		○
Maintenance contract		○

Updated : 04/2023

Non contractual document. France Elevateur SAS reserves the right to modify the characteristics of the machines

101 Fp / FORD CUSTOM



ZAC DU PLATEAU
54630 FLAVIGNY SUR MOSELLE - FRANCE

Tél. +33 (0)3 83 23 31 32

commercial@france-eleveur.fr | www.france-eleveur.fr

BORDEAUX
33450 Montoussan
☎ +33 (0)5 56 89 90 72

PARIS SUD
91220 Brétigny sur Orge
☎ +33 (0)1 60 85 14 23

LAVAL
53000 Laval
☎ +33 (0)2 43 49 07 28

MARSEILLE
13300 Salon de Provence
☎ +33 (0)4 90 59 36 27

LENS
62970 Courcelles les Lens
☎ +33 (0)3 21 79 32 15

LORIENT
56850 Caudan
☎ +33 (0)2 30 95 02 10

PAU
64160 Morlaas
☎ +33 (0)5 59 900 000

PARIS OUEST
95310 St-Ouen l'Aumône
☎ +33 (0)1 39 22 12 12

TOULOUSE
31770 Colomiers
☎ +33 (0)5 34 35 83 50

LYON
69800 Saint-Priest
☎ +33 (0)4 37 25 33 90

NANTES
44220 Couëron
☎ +33 (0)2 40 57 02 83

CLERMONT-FERRAND
63050 Clermont-Ferrand
☎ +33 (0)4 73 84 23 22

ANGERS
49070 Beaucoze
☎ +33 (0)5 59 900 000

BENELUX
7522 Marquain
☎ +32 (0)56 51 40 26