

121 FT / RENAULT MASTER

TECHNICAL DATASHEET

MADE IN FRANCE



TELECOM



LT LEASING COMPANIES



AUTHORITIES



SIGNS/PUBLICITY



RETAILERS



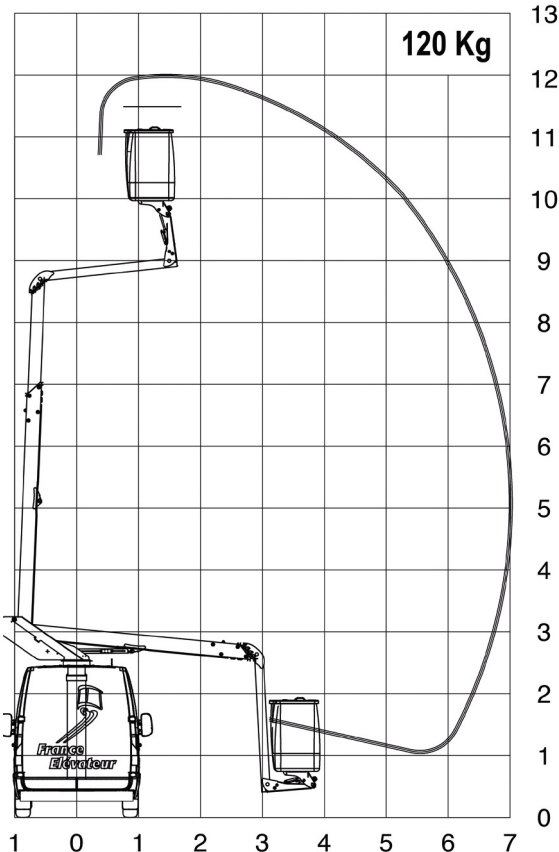
LIGHTING



ELECTRICIANS

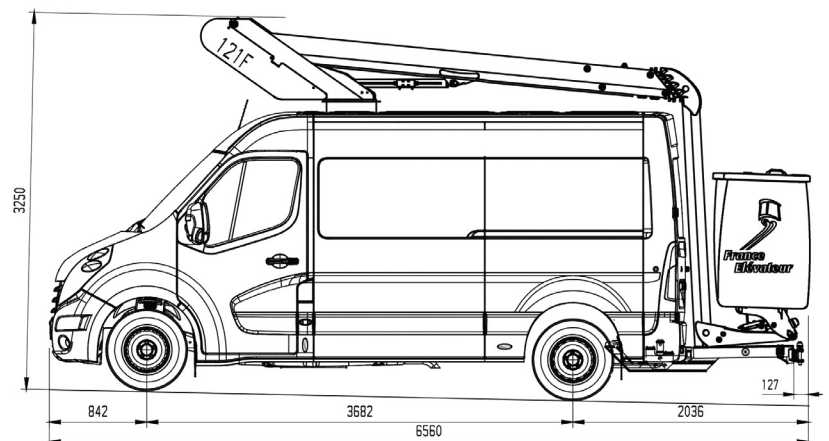


OTHER ACTIVITIES



This unit has given perspective to the aerial platform on 3t5 van concept since 1980 and has continued to evolve ever since to meet the market's requirements. It has a steady track record and is still the undisputed **best-seller in the Telecoms and street lighting market** today :

- Excellent working height and outreach **performance**
- Use with or **without stabilisers**
- **Cargo space in relation** to the payload
- **Numerous options adapted to** each sector and activity



TECHNICAL SPECIFICATIONS

As standard : ● Optional : ○

Working height	12,00 m	●
Floor height	10,10 m	●
Maximum outreach without stabilisers	7,00 m	●
Basket load	120 kg	●
Turret rotation	400°	●
Maximum usage tilt / slope	5% / 15%	●
Basket dimensions	850 x 780 x 1150 mm	●
Minimum PTAC	3 500 kg	●
Steel arm with 1 telescopic element		●
Cable chain holder inside the telescope		●
Electro-hydraulic and sequential commands		●
Rigid protection for the upper commands		●
1000 V insulated full opening fibre basket	850 x 780 x 1150 mm	●
Engage back-up remote control in cab (5 m cable)		●
Priority electro-hydraulic back-up console		●
Anti-movement safety with arm raised (below 4 kph)	As standard on RENAULT MASTER	●
Return to road position light in cab		●
Manual backup pump		●
Time counter		●
Alarm tilt detector		●
Rear platform with integrated underrun protection bar		●
Right rear door opening in transport position		●

EQUIPMENT

Engine start and stop in the basket		○
Basket horn		○
Backup generator		○
Engine-powered clutch-hydraulic pump (incompatible with the 12 Vdc hydraulic unit)		○
230 V plug in the basket with 30 mA differential protection		○
Removable and insulated toolbox in the basket		○
12Vdc-230 Vac - 2 Kva converter		○
Removable and adjustable 12 Vdc LED working light		○
Anti-skid floor protection		○
Sides and floor protection		○
Interior design		○
Cone holder in cargo area		○
Signal panel support in cargo area		○
Fixed ladder holder		○
750 kg coupling hook (GVW limited to 4250 kg)		○
Reversing radar		○
Reversing camera		○
2 LED flash lights + retro-reflective marking Cl 1		○
Flashing light under the basket		○
Stowing rail on the back of the cab (incompatible with stabilisers)		○
BT 200 (including full door BT200 basket + backup generator)		○
2 hydraulic stabilisers (incompatible with 12 Vdc hydraulic unit)		○
12 Vdc hydraulic unit		○
Maintenance contract		○

Updated : 07/2020



ZAC DU PLATEAU
54630 FLAVIGNY SUR MOSELLE - FRANCE

Tél. +33 (0)3 83 23 31 32

commercial@france-eleveur.fr | www.france-eleveur.fr

AFTER SALES
AGENCIES

BORDEAUX

33450 Montoussan
☎ +33 (0)5 56 89 90 72

PARIS OUEST

95310 St-Ouen l'Aumône
☎ +33 (0)1 39 22 12 12

PARIS SUD

91220 Brétigny sur Orge
☎ +33 (0)1 60 85 14 23

TOULOUSE

31770 Colomiers
☎ +33 (0)5 34 35 83 50

LAVAL

53000 Laval
☎ +33 (0)2 43 49 07 28

LYON

69800 Saint-Priest
☎ +33 (0)4 37 25 33 90

MARSEILLE

13300 Salon de Provence
☎ +33 (0)4 90 59 36 27

NANTES

44220 Couëron
☎ +33 (0)2 40 57 02 83

LENS

62970 Courcelles les Lens
☎ +33 (0)3 21 79 32 15

CLERMONT-FERRAND

63050 Clermont-Ferrand
☎ +33 (0)4 73 84 23 22

BENELUX

8587 Espierres
☎ +32 (0)56 51 40 26

ALLEMAGNE

04179 Leipzig
☎ +49 (0)341/30 88 95-0

121 FT / RENAULT MASTER